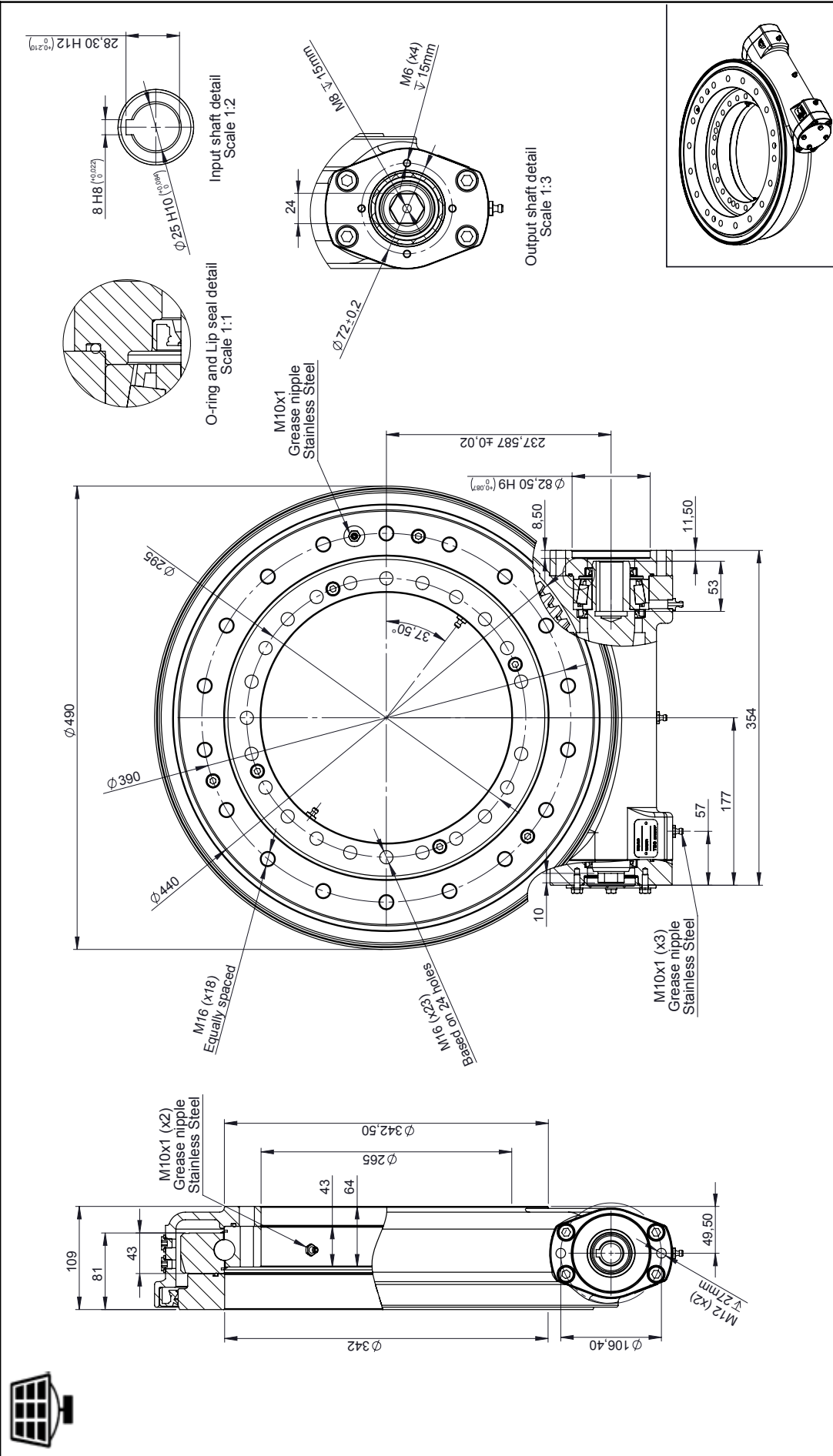


# TE SERIES

## METRIC



**TGB GROUP**  
INFORM@TGBGROUP.IT  
WWW.TGBGROUP.IT

**TGB**

Reference: **TE435-Z0-RM**

Denomination: **Sales Drawing**

Weight (kg): **70.34**

Material: **MATERIAL:**

Scale: **SCALE:**

Rev: **A**

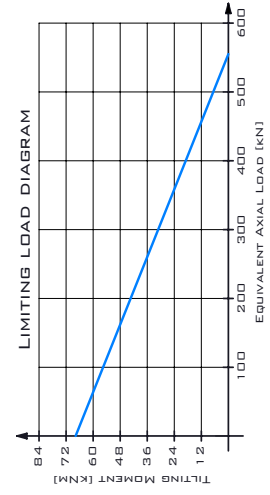
NUM. PIECES: **1**

SHEET: **1 of 1**

Units: mm

SHAFT: Ø 25MM KEYS KEYED SHAFT  
FLANGE: SAE - 2BOLT FLANGE

The information contained in this document is property of TGB Group. It is not to be used for any other purpose without the express written consent of TGB Group. TGB Group reserves the right to change the design without previous notice and without any obligation.



**MAIN PERFORMANCE PARAMETERS**

GEAR RATIO	85:1	HOLDING TORQUE	43.2kNm
EFFICIENCY	40%	TILTING MOMENT	67.8kNm
SELF-LOCKING GEAR	YES	RADIAL STATIC LOAD	222kN
BACKLASH CLEARANCE	< 0.17°	AXIAL STATIC LOAD	555kN
MAXIMUM TORQUE	12.308Nm	RADIAL DYNAMIC LOAD	117kN
NOMINAL TORQUE	10.200Nm	AXIAL DYNAMIC LOAD	139kN

**NOTES:** ALL NEW DRIVES ARE LUBRICATED. MAXIMUM OUTPUT SPEED 1800 RPM.  
ALL BEINGS DARGOMET TREATED